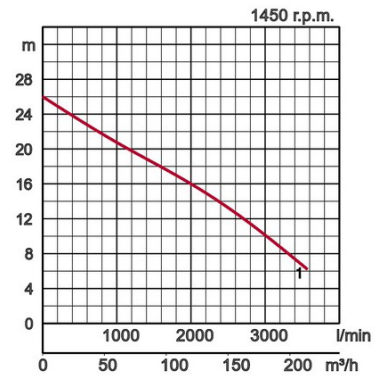


## Specifications:

Model	Colour code curve	Bore mm	Motor output kW	Rated current A	Head max. m	Capacity max. l/min	Dry weight kg w/o cable	Max. solid handling ø mm	Pressure resistance max. m	Cable length m
100BZ411	1			23,8	26,0	3575	219,0		20	

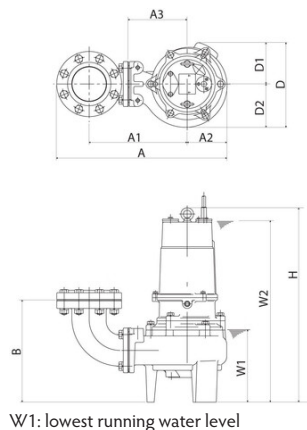
Non-clog impeller allows large diameter of foreign matter with respect to discharge bore. This ensures that waste water and sewage are efficiently transferred.

ø Discharge bore mm		100mm	
Pumping Fluid	Type of Fluid	Municipal sewage	
	Temperature	0-40°C	
Pump	Components	Impeller	Non-clog impeller
		Shaft Seal	Double mechanical seal
		Bearings	Shielded ball bearings
	Material	Impeller	Grey iron casting EN-GJL-200
		Casing	Grey iron casting EN-GJL-200
		Suction Plate	Grey iron casting EN-GJL-200
	Shaft Seal	Silicon carbide in oil bath	
Motor	Phase / Voltage		3-phase / 400V / 50Hz / s.d.
	Motor Protector (built-in)		Miniature protector
	Lubrication		Turbine oil (ISO VG32)
	Insulation		Insulation class F
	Type, Poles		Induction motor, 4 poles, IP68
	Material	Casing	Grey iron casting EN-GJL-150
Shaft		Stainless steel EN-X30Cr13	
Cable		Rubber, NSSHÖU	
Discharge Connection		Inside thread, JIS10K flange	
Optional Accessories		Guide rail fitting "TOS" (guide support, duck foot bend, lifting chain) / Bend and stand set for free standing types	



## Dimensions in mm:

Model	A	A1	B	D	D1	H	W1
100BZ411	727	407	377	431	205	1023	330



Please mind: discharge bend, duck foot bend and stand set are accessories and must be ordered separately