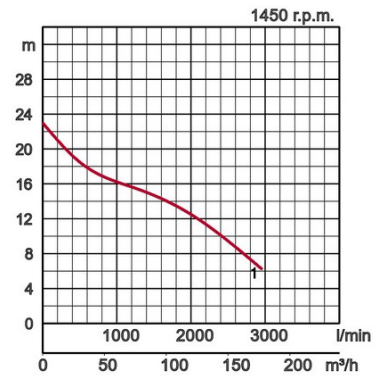


Specifications:

| Model | Colour code curve | Bore mm | Motor output kW | Rated current A | Head max. m | Capacity max. l/min | Dry weight kg w/o cable | Max. solid handling ø mm | Pressure resistance max. m | Cable length m |
|-----------|-------------------|---------|-----------------|-----------------|-------------|---------------------|-------------------------|--------------------------|----------------------------|----------------|
| 100BZ47.5 | 1 | | | 15,9 | 23,6 | 2100 | 194,0 | | 15 | |

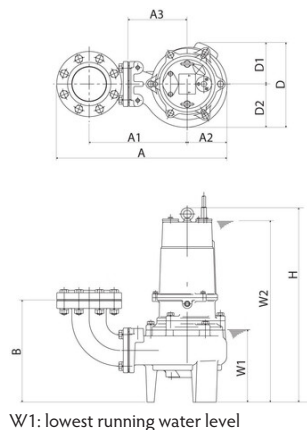
Non-clog impeller allows large diameter of foreign matter with respect to discharge bore. This ensures that waste water and sewage are efficiently transferred.

| | | | | |
|----------------------|----------------------------|--|--------------------------------|--|
| ø Discharge bore mm | | 100mm | | |
| Pumping Fluid | Temperature | 0-40°C | | |
| | Type of Fluid | Municipal sewage | | |
| Pump | Components | Impeller | Non-clog impeller | |
| | | Shaft Seal | Double mechanical seal | |
| | | Bearings | Shielded ball bearings | |
| | Material | Impeller | Grey iron casting EN-GJL-200 | |
| | | Casing | Grey iron casting EN-GJL-200 | |
| | | Suction Plate | Grey iron casting EN-GJL-200 | |
| | | Shaft Seal | Silicon carbide in oil bath | |
| Motor | Phase / Voltage | | 3-phase / 400V / 50Hz / d.o.l. | |
| | Motor Protector (built-in) | | Circle thermal cut-out | |
| | Lubrication | | Turbine oil (ISO VG32) | |
| | Type, Poles | | Induction motor, 4 poles, IP68 | |
| | Insulation | | Insulation class F | |
| | Material | Casing | Grey iron casting EN-GJL-150 | |
| | | Shaft | Stainless steel EN-X30Cr13 | |
| Cable | | Rubber, NSSHÖU | | |
| Discharge Connection | | Inside thread, JIS10K flange | | |
| Optional Accessories | | Guide rail fitting "TOS" (guide support, duck foot bend, lifting chain) / Bend and stand set for free standing types | | |



Dimensions in mm:

| Model | A | A1 | B | D | D1 | H | W1 |
|-----------|-----|-----|-----|-----|-----|-----|-----|
| 100BZ47.5 | 716 | 407 | 380 | 421 | 205 | 946 | 305 |



Please mind: discharge bend, duck foot bend and stand set are accessories and must be ordered separately