

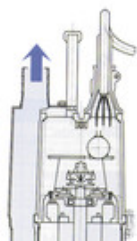


## KTVE 3-phase 50Hz

Rugged - Lightweight - equipped with electrode auto control system  
- for professional use

Tsurumi's expertise has developed a new series which combines high tech materials for maximum durability, yet lightweight and portable. This pump is equally suited for construction site dewatering as well as installation into facilities.





## Top Discharge

Pumped water cools the motor and discharges as illustrated. The motor can be cooled even when pumping a small amount of water. The top discharge arrangement allows access into areas with space limitations.

## Lightweight

To lower the overall weight, pump materials have been changed in part to die-cast aluminium and specially treated synthetic rubber. Compared with Tsurumi's conventional pumps of the same type, this change has resulted in a 10kg weight reduction. An ergonomically designed handle facilitates relocation of the pump at construction sites.



## Low maintenance

The pump's lower part can be disassembled with a box wrench for effortless maintenance without impeller removal.

## Rugged

Specially prepared synthetic rubber parts including the casing, wear plate and duct sleeve protect the die-cast aluminium motor housing. This has resulted in amazingly increased wear resistance and other virtues such as:

- Reduced need for general service maintenance.
- A pump immune to calcium carbonate deposits or scale

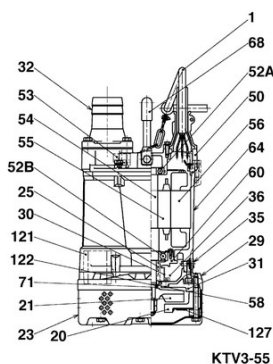
## Electrode auto control system



The KTVE-type is equipped with a new electrode type control system. This prevents unnecessary dry operation, which makes it ideal for work environments where noise must be prevented, for example, in night operation in residential areas. Pump operating is started when the water level rises and contacts the electrode. When the water-electrode contact is lost the timer starts operating and after one minute pump operation is stopped

## Components:

001 Cable	053 Motor protector
020 Pump casing	054 Shaft
021 Impeller	055 Rotor
023 Strainer	056 Stator
025 Mechanical seal	058 Washer
029 Oil casing	060 Bearing housing
030 Oil lifter	064 Motor casing
031 Wear plate	068 Handle
032. Outlet	071 Shaft sleeve
035 Oil plug	085 Relay
036 Lubricant	090. Electrode
050 Motor cover	121 Packing
051 Head cover	122 V-ring
052A Upper bearing	127 Fixing plate
052B Lower bearing	

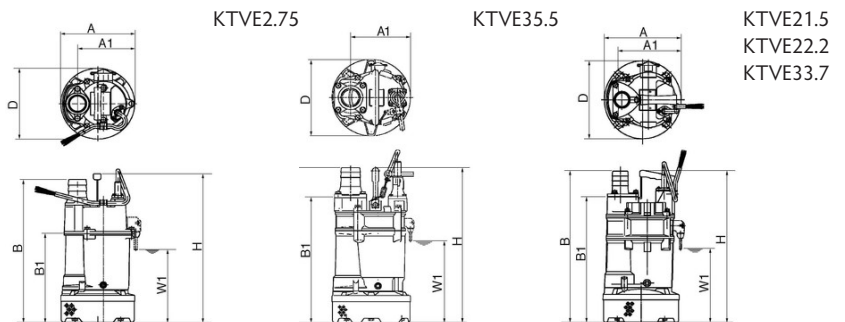
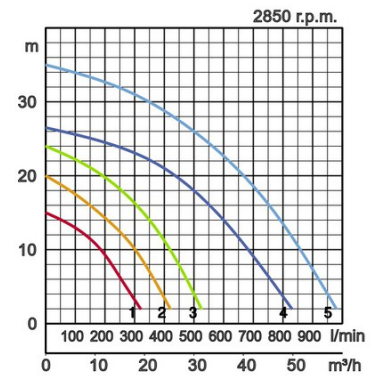


**Specifications:**

Model	Colour code curve	Bore mm	Motor output kW	Rated current A	Head max. m	Capacity max. l/min	Dry weight kg w/o cable	Max. solid handling ø mm	Pressure resistance max. m	Cable length m
KTVE2.75	1	50	0,75	1,8	15,0	320	12,7	6	10	10
KTVE21.5	2	50	1,5	3,3	20,0	420	22,0	8,5	25	20
KTVE22.2	3	50	2,2	4,3	24,0	525	25,0	8,5	25	20
KTVE33.7	4	80	3,7	7,4	26,5	830	40,0	8,5	25	20
KTVE35.5	5	80	5,5	11,0	35,0	980	52,0	8,5	25	20



ø Discharge bore mm		50, 80	
Pumping Fluid	Temperature	0-40°C	
	Type of Fluid	Spring water, Rain water, Ground water, Sand carrying water	
Pump	Components	Impeller	Semi-Vortex impeller
		Shaft Seal	Double mechanical seal
		Bearings	Shielded ball bearings
	Material	Impeller	Urethane rubber, Ductile iron casting EN-GJS-700-2
		Casing	Synthetic rubber
Shaft Seal	Silicon carbide in oil bath		
Motor	Phase / Voltage		3-phase / 400V / 50Hz / d.o.l.
	Motor Protector (built-in)		Circle thermal cut-out
	Lubrication		Turbine oil (ISO VG32)
	Type, Poles		Induction motor, 2 poles, IP68
	Insulation		Insulation class E
	Material	Casing	Aluminium die casting
		Shaft	Stainless steel EN-X30Cr13, Stainless steel EN-X6Cr13
Cable		Rubber, NSSHÖU	
Discharge Connection		Threaded flange/Hose coupling	



W1: lowest running water level

**Dimensions in mm:**

Model	A	A1	B	B1	D	H	W1
KTVE2.75	200	155	401	329	200	417	234
KTVE21.5	240	187	482	400	240	486	265
KTVE22.2	240	187	482	400	240	486	265
KTVE33.7	285	211	585	462	285	585	327
KTVE35.5	-	229	620	497	300	620	357

In the event of abrasive and corrosive utilization, stronger wear and tear will take place naturally in certain components. In this regard, please pay attention to our website [www.tsurumi.eu/english/applications.htm](http://www.tsurumi.eu/english/applications.htm).



Contributing to World-wide Prosperity and Understanding through Worker- and Environment-friendly Production.

Designed for increased productivity through fully integrated streamlined production systems, Tsurumi's factory in Kyoto (Japan) features a production capacity of a full 1 million pumps per year. Large-scale modern R&D facilities offer optimum conditions for experimenting and testing of even super-large pumps and for developing new products to expand the possibilities and applications of pumps. To provide optimum conditions for our main asset, our workers, as well as for the environment, special emphasis is placed on optimized working conditions with airconditioning, minimized dust and exhaust gas emission, comprehensive recycling and waste recovery.

## Tsurumi (Europe) GmbH

Wahlerstr. 10  
D-40472 Düsseldorf  
Tel.: +49 (0)211-4179373  
Fax: +49 (0)211-417937-480  
Email: [sales@tsurumi.eu](mailto:sales@tsurumi.eu)  
[www.tsurumi.eu](http://www.tsurumi.eu)

We reserve the right to change specifications and designs herein for improvement without prior notice. Our pumps are for professional use only. In the event that Tsurumi (Europe) GmbH have, in exceptional cases taken over, a manufacturer's warranty, this entitles the enduser to assert remedy free of charge against Tsurumi (Europe) GmbH due to any defect to the product occurring during the guarantee period (see below), also then when the warranty claims against the seller do not or no longer exist. In the event of malfunction, which is attributable to the improper handling by the enduser, no guarantee claim shall arise. Further claims shall not result from the warranty, unless if something to the contrary has explicitly been determined. The decision as to whether remedy is effected by way of replacement or repair shall be at the choice of Tsurumi (Europe) GmbH. The claims shall be time barred after a period of three months after expiry of the guarantee period, however, not before expiry of the warranty period which is valid towards the seller. In the event of doubt, the warranty period shall correspond with the warranty period which is valid between the end-user and his seller.



con-KTYE-EN

