



NKZ 3-phase
50Hz

Pump with agitator
- for professional use

All pumps in this series provide very smooth passage of sandy earth and slime. A forcibly cooled motor ensures long and continuous pump operations exposed to air.



Forced agitation

The agitator installed on the motor shaft extension forcibly agitates the fluid for easy and efficient transmission of sludge and slurry.

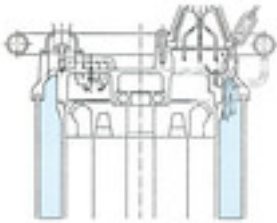


All pumps in this series provide very smooth passage of sandy earth and slime. A forcibly cooled motor ensures long and continuous pump operations exposed to the air. 4-pole motor used to achieve excellent durability and versatility. By offering a cast iron pump body durability is increased over standard aluminium body pumps. Spiral structure, marvelously facilitates the passage of sand, soil, sludge, or slime, without clogging.



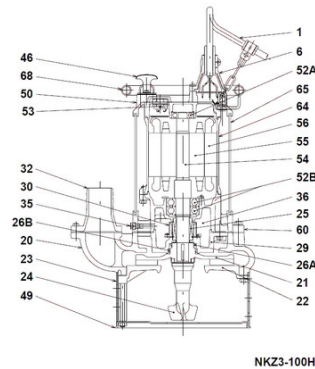
Water jacket

Inner and outer motor casing - flow-through-design - perfect cooling under dry-run-conditions



Components:

| | |
|---------------------|---------------------|
| 001 Cable | 036 Lubricant |
| 006 Cable entrance | 050 Motor cover |
| 020 Pump casing | 052A Upper bearing |
| 021 Impeller | 052B Lower bearing |
| 022 Suction plate | 053 Motor protector |
| 023 Strainer | 054 Shaft |
| 024 Agitator | 055 Rotor |
| 025 Mechanical seal | 056 Stator |
| 026A Oil sealing | 060 Bearing housing |
| 026B Oil sealing | 064 Motor casing |
| 029 Oil casing | 065 Jacket |
| 032. Outlet | 068 Handle |
| 035 Oil plug | |

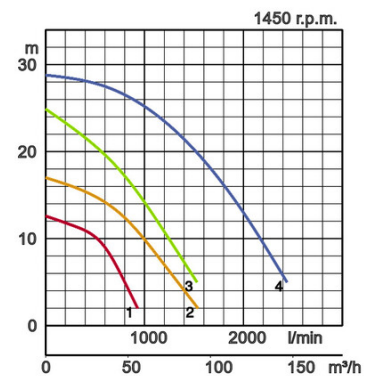


NKZ3-100H

Specifications:

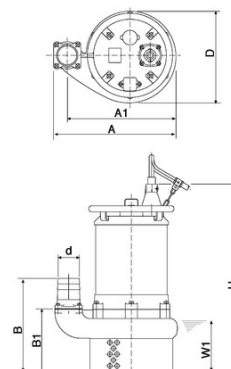
| Model | Colour code curve | Bore mm | Motor output kW | Rated current A | Head max. m | Capacity max. l/min | Dry weight kg w/o cable | Max. solid handling ø mm | Pressure resistance max. m | Cable length m |
|---------|-------------------|---------|-----------------|-----------------|-------------|---------------------|-------------------------|--------------------------|----------------------------|----------------|
| NKZ3-C3 | 1 | 80 | 2,2 | 5,1 | 12,6 | 930 | 91,0 | 30 | 15 | 20 |
| NKZ3-D3 | 2 | 80 | 3,7 | 8,0 | 17,0 | 1540 | 100,0 | 30 | 15 | 20 |
| NKZ35.5 | 3 | 80 | 5,5 | 12,1 | 24,9 | 1530 | 146,0 | 20 | 15 | 20 |
| NKZ411 | 4 | 100 | 11,0 | 22,5 | 28,8 | 2440 | 217,0 | 20 | 15 | 20 |

| | | | | |
|----------------------|----------------------------|---|---|--|
| ø Discharge bore mm | | 80, 100 | | |
| Pumping Fluid | Type of Fluid | Liquids containing sandy mud, Sand carrying water | | |
| | Temperature | 0-40°C | | |
| Pump | Components | Impeller | Open type impeller | |
| | | Shaft Seal | Double mechanical seal | |
| | | Bearings | Shielded ball bearings | |
| | Material | Impeller | Ductile iron casting EN-GJS-700-2, Chromium iron casting | |
| | | Casing | Grey iron casting EN-GJL-200 | |
| | | Suction Plate | Grey iron casting EN-GJL-200, Ductile iron casting EN-GJS-700-2 | |
| | Shaft Seal | Silicon carbide in oil bath | | |
| Motor | Phase / Voltage | | 3-phase / 400V / 50Hz / d.o.l. | |
| | Lubrication | | Turbine oil (ISO VG32) | |
| | Motor Protector (built-in) | | Circle thermal cut-out | |
| | Type, Poles | | Induction motor, 4 poles, IP68 | |
| | Insulation | | Insulation class E, Insulation class F | |
| | Material | Casing | Grey iron casting EN-GJL-150, Grey iron casting EN-GJL-200 | |
| Shaft | | Stainless steel EN-X30Cr13 | | |
| Cable | | Rubber, NSSHÖU | | |
| Discharge Connection | | Threaded flange/Hose coupling | | |



Dimensions in mm:

| Model | d | A | A1 | B | B1 | D | H | W1 |
|---------|-----|-----|-----|-----|-----|-----|-----|-----|
| NKZ3-C3 | 80 | 467 | 405 | 371 | 249 | 370 | 664 | 225 |
| NKZ3-D3 | 80 | 467 | 405 | 371 | 249 | 370 | 664 | 225 |
| NKZ35.5 | 80 | 491 | 430 | 386 | 263 | 400 | 798 | 220 |
| NKZ411 | 100 | 546 | 485 | 421 | 283 | 413 | 885 | 240 |



W1: lowest running water level

In the event of abrasive and corrosive utilization, stronger wear and tear will take place naturally in certain components. In this regard, please pay attention to our website www.tsurumi.eu/english/applications.htm.



Contributing to World-wide Prosperity and Understanding through Worker- and Environment-friendly Production.

Designed for increased productivity through fully integrated streamlined production systems, Tsurumi's factory in Kyoto (Japan) features a production capacity of a full 1 million pumps per year. Large-scale modern R&D facilities offer optimum conditions for experimenting and testing of even super-large pumps and for developing new products to expand the possibilities and applications of pumps. To provide optimum conditions for our main asset, our workers, as well as for the environment, special emphasis is placed on optimized working conditions with airconditioning, minimized dust and exhaust gas emission, comprehensive recycling and waste recovery.

Tsurumi (Europe) GmbH

Wahlerstr. 10
D-40472 Düsseldorf
Tel.: +49 (0)211-4179373
Fax: +49 (0)211-417937-480
Email: sales@tsurumi.eu
www.tsurumi.eu

We reserve the right to change specifications and designs herein for improvement without prior notice. Our pumps are for professional use only. In the event that Tsurumi (Europe) GmbH have, in exceptional cases taken over, a manufacturer's warranty, this entitles the enduser to assert remedy free of charge against Tsurumi (Europe) GmbH due to any defect to the product occurring during the guarantee period (see below), also then when the warranty claims against the seller do not or no longer exist. In the event of malfunction, which is attributable to the improper handling by the enduser, no guarantee claim shall arise. Further claims shall not result from the warranty, unless if something to the contrary has explicitly been determined. The decision as to whether remedy is effected by way of replacement or repair shall be at the choice of Tsurumi (Europe) GmbH. The claims shall be time barred after a period of three months after expiry of the guarantee period, however, not before expiry of the warranty period which is valid towards the seller. In the event of doubt, the warranty period shall correspond with the warranty period which is valid between the end-user and his seller.



com-NKZ-EN

