



UY-series 150mm discharge, wet installation
Sewagepump with Vortex-impeller

The UY-series is equipped with a vortex-impeller and a wide pump-casing. This construction prevents clogging by big or fibrous impurities.





Vortex Impeller

This impeller is used mainly to avoid clogging or wear by large or stringy solids in the water. It accelerates part of the water to great speed, and this speed is used to smoothly move all the water from inlet to outlet.

Optional Accessories:

- duck-foot for guide rails:
 - guide support
 - duck foot
- Bend
- Stand set for free-standing version



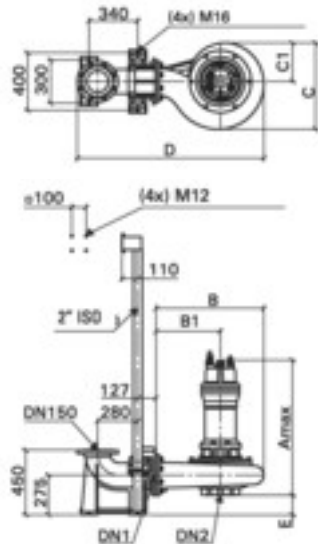
Available options

- Explosion proof version
- Oil sensor
- Motor versions up to 2.9 kW in d.o.l., 3.7kW-motor either in d.o.l.- or star-delta-start, from 5 kW on only start-delta-start
- All pumps can be operated with soft-starter and frequency-converter



Dimensions - guide rail fitting type in mm:

Model	A	B	B1	C	C1	D	DN1	DN2	E
150UY422H	1353	620	380	464	232	1170	150	200	145
150UY425.6	1353	620	380	464	232	1170	150	200	145
150UY429.2	1353	620	380	464	232	1170	150	200	145
150UY433	1353	620	380	464	232	1170	150	200	145
150UY437.4	1409	620	380	464	232	1170	150	200	145
150UY446.1	1409	620	380	464	232	1170	150	200	145
150UY446.1H	1409	620	380	464	232	1170	150	200	145



Tsurumi (Europe) GmbH

Wahlerstr. 10
 D-40472 Düsseldorf
 Tel.: +49 (0)211-4179373
 Fax: +49 (0)211-417937-480
 Email: sales@tsurumi.eu
 www.tsurumi.eu

We reserve the right to change specifications and designs herein for improvement without prior notice. Our pumps are for professional use only. In the event that Tsurumi (Europe) GmbH have, in exceptional cases taken over, a manufacturer's warranty, this entitles the enduser to assert remedy free of charge against Tsurumi (Europe) GmbH due to any defect to the product occurring during the guarantee period (see below), also then when the warranty claims against the seller do not or no longer exist. In the event of malfunction, which is attributable to the improper handling by the enduser, no guarantee claim shall arise. Further claims shall not result from the warranty, unless if something to the contrary has explicitly been determined. The decision as to whether remedy is effected by way of replacement or repair shall be at the choice of Tsurumi (Europe) GmbH. The claims shall be time barred after a period of three months after expiry of the guarantee period, however, not before expiry of the warranty period which is valid towards the seller. In the event of doubt, the warranty period shall correspond with the warranty period which is valid between the end-user and his seller.

sew-UY_150mm-EN

